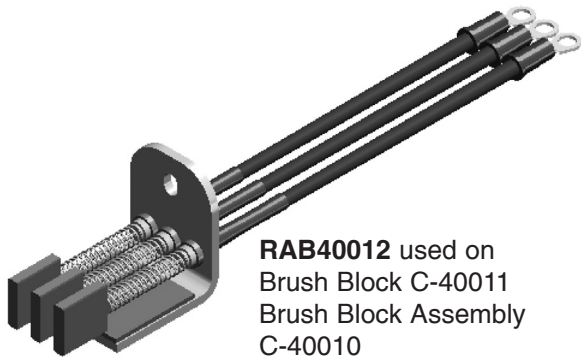
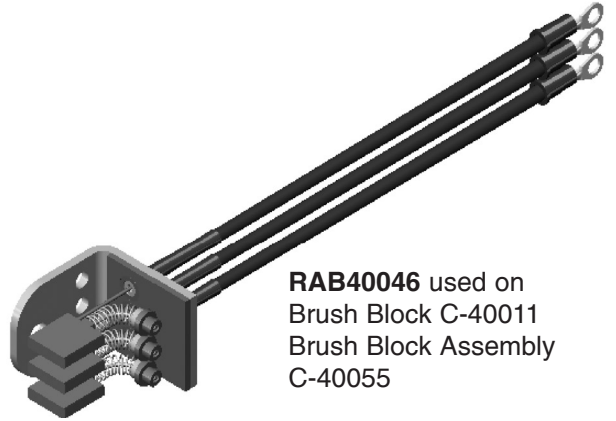


# McCauley De-Ice Brush & Holder Assembly



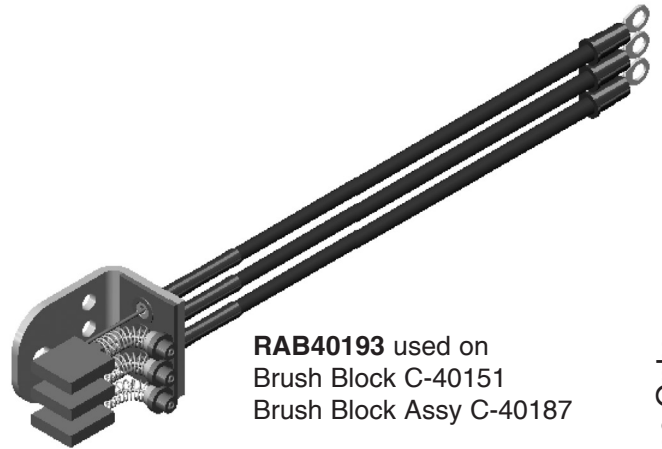
**RAB40012** used on  
Brush Block C-40011  
Brush Block Assembly  
C-40010



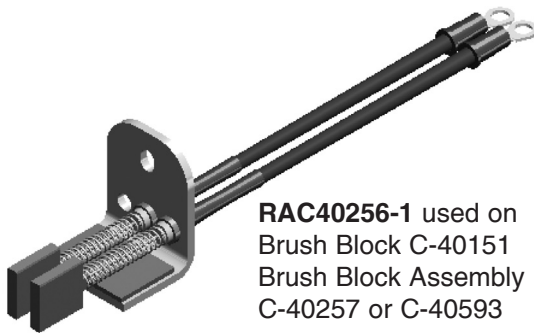
**RAB40046** used on  
Brush Block C-40011  
Brush Block Assembly  
C-40055



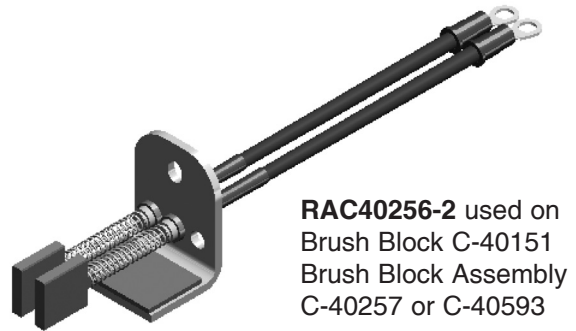
**RAB40189** used on  
Brush Block C-40151  
Brush Block Assembly  
C-40179



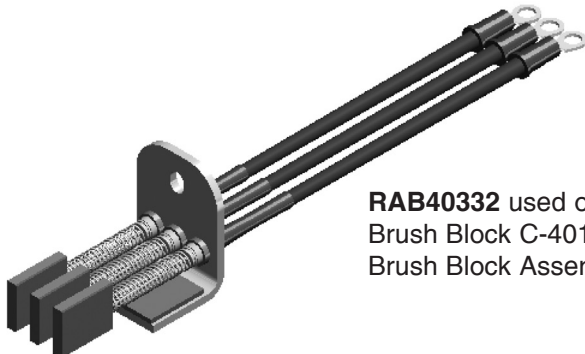
**RAB40193** used on  
Brush Block C-40151  
Brush Block Assy C-40187



**RAC40256-1** used on  
Brush Block C-40151  
Brush Block Assembly  
C-40257 or C-40593



**RAC40256-2** used on  
Brush Block C-40151  
Brush Block Assembly  
C-40257 or C-40593

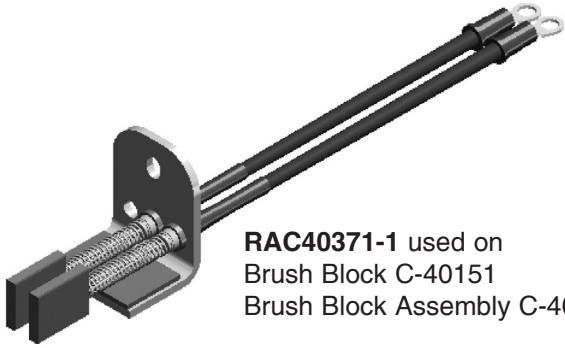


**RAB40332** used on  
Brush Block C-40151  
Brush Block Assembly C-40331

For Reference Only



# McCauley De-Ice Brush & Holder Assembly



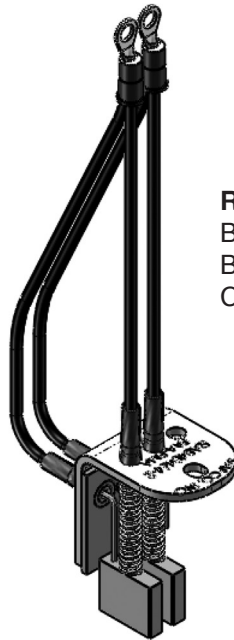
**RAC40371-1** used on  
Brush Block C-40151  
Brush Block Assembly C-40363



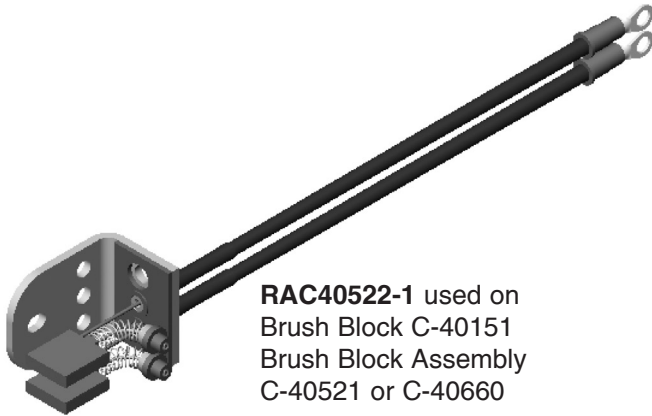
**RAC40371-2** used on  
Brush Block C-40151  
Brush Block Assembly C-40363



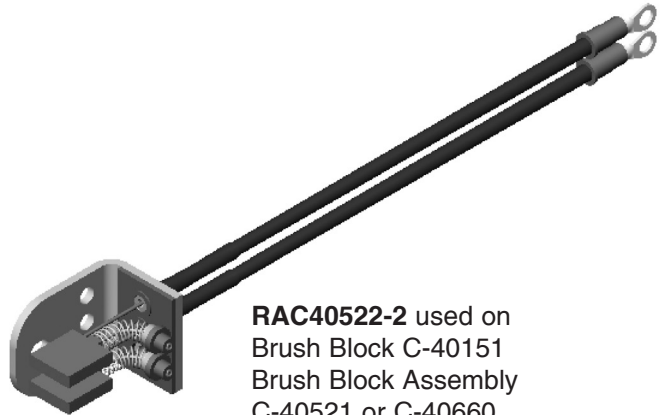
**RAC40464-1** used on  
Brush Block C-40411  
Brush Block Assembly  
C-40463 or C-40685



**RAC40464-2** used on  
Brush Block C-40411  
Brush Block Assembly  
C-40463 or C-40685



**RAC40522-1** used on  
Brush Block C-40151  
Brush Block Assembly  
C-40521 or C-40660



**RAC40522-2** used on  
Brush Block C-40151  
Brush Block Assembly  
C-40521 or C-40660

