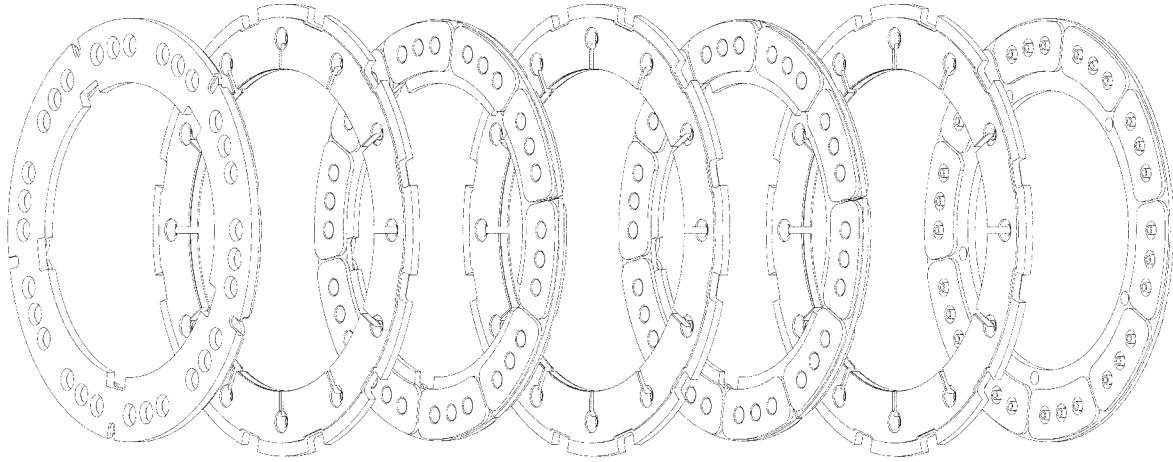
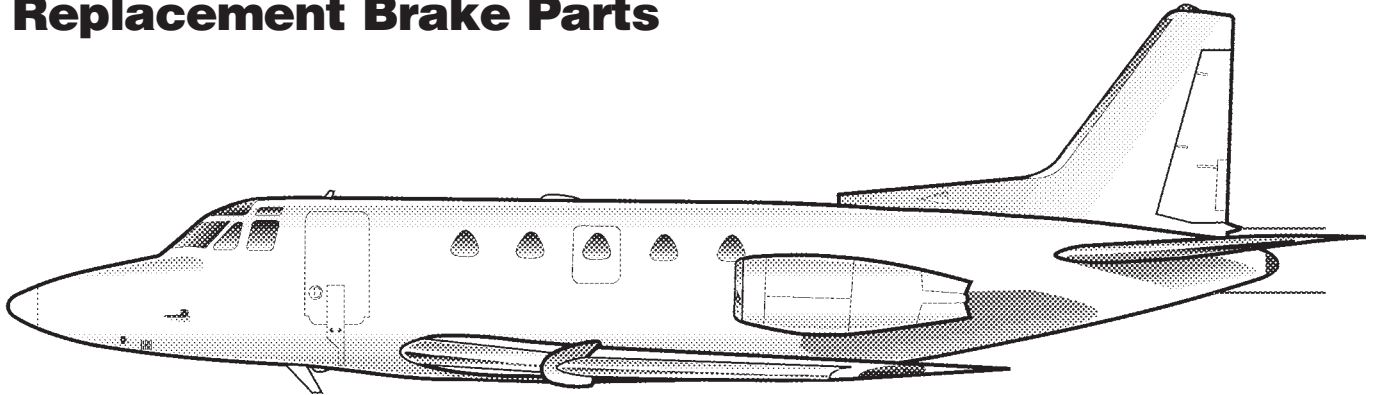


SABRELINER

40 & 60



FAA-PMA APPROVED Replacement Brake Parts

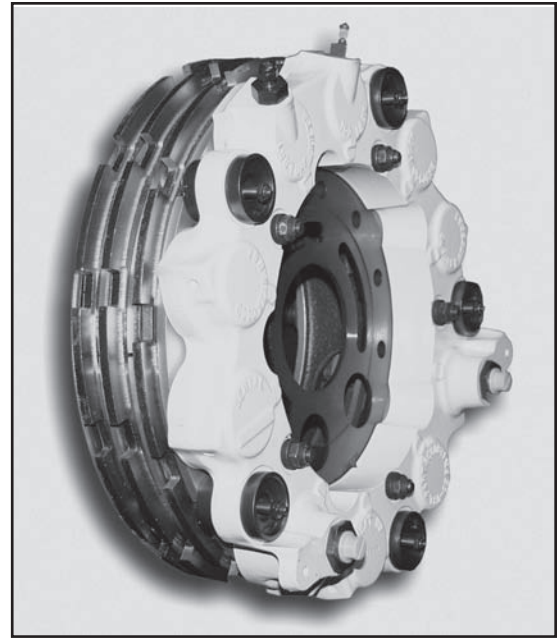


CORP & REGIONAL
BRAKES

RAPCO FLEET SUPPORT, inc. **AIRCRAFT BRAKES**



440 Cardinal Lane, Hartland, Wisconsin 53029 U.S.A.
For a list of distributors, Please call
(262) 367-6210 Phone, (262) 367-6219 Fax
www.rfsbrakes.com



This Brake Kit fits the following:

Sabreliner 40 & 60 when equipped with Goodyear/ABS brake assembly 9550338 series.

Rapco Fleet Support, Inc. to Goodyear / ABS Part Number cross-reference:

	QTY	RFS Part No.	Goodyear/ ABS P.N.	Part Description
RFS-9550338K Hot-Pac Kit Contents	3	RFS1055	5002531	Rotating Disc
	60	RFS3090	5003956	Wear Pad
	60	RFS8A18	GYR8A18	Rivet (Stationary)
	60	RFS18B9	GYR18B9	Rivet (Pressure & Back)
	1	RFS5175*	5003958	Pressure Plate Sub-assembly
	1	RFS4150	5002758	Pressure Plate
	2	RFS5125*	5003957	Stationary Disc Sub-assembly
	2	RFS2050	5002756	Stationary Disc

* These parts are sold as a Sub-Assembly with the wear pads already riveted on.

FAA-PMA APPROVED
Replacement Brake Parts